



## MRI Compatible Patient Monitoring Video Camera



### Product Description

The Sentient low voltage DC Patient Monitoring Video Camera is an adjunct to patient observation within a clinical setting. The video camera may be used anywhere within a Health Care Facility including MRI Scan Rooms.

### Specifications

#### Camera

- Sony Super HAD CCD II

#### Video

- Resolution: 650 TV Lines
- Total Pixels: 811(H)x508(V) 410k
- Scanning: 2:1 Interlace
- Min. Illumination: 0.1Lux at F1.2

#### Environmental

- Operating Temp: 10 – 55C/14-131F
- Operating Humidity: 30-80% RH

#### Power Supply

- Input: 120VAC 60Hz 1.5A
- Output: 5A @ 12VDC

#### Dimensions

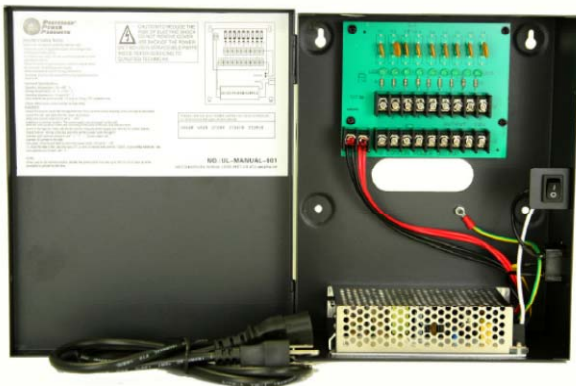
- 9.75" x 8" x 3.5" (H x W x D)
- 248 x 203 x 89mm

#### Warranty

- One Year Limited
- Complete Component

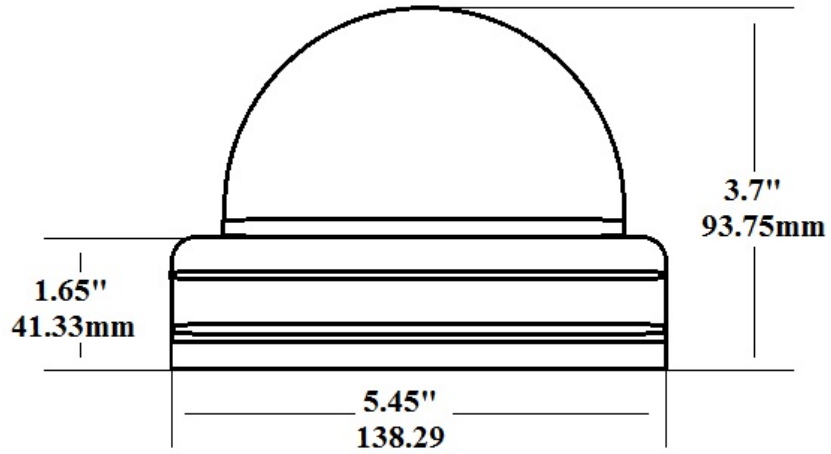
#### Approval Listings

- cUL Listed/ CE

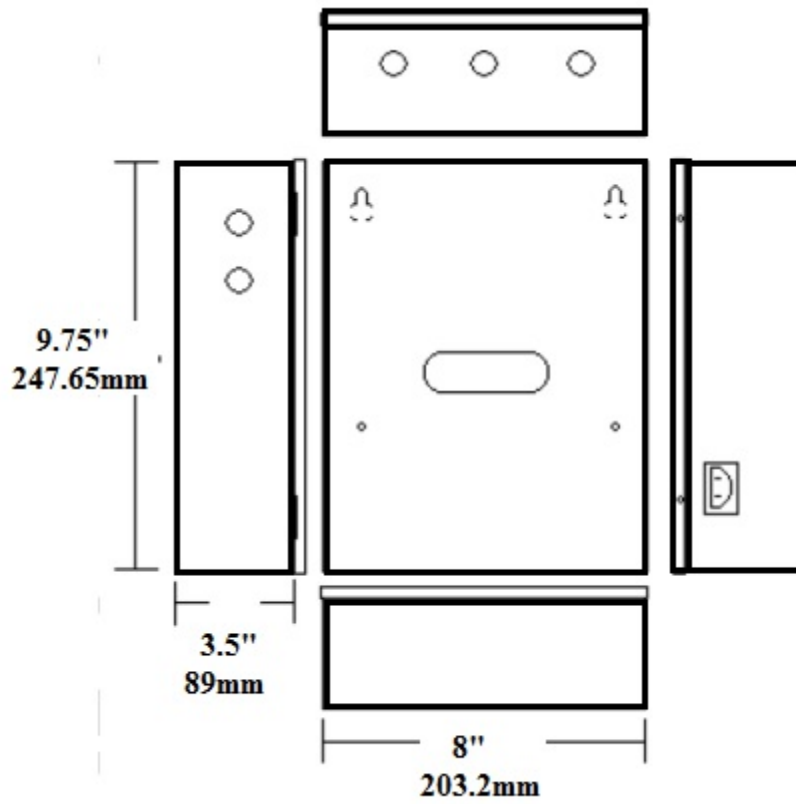




## Dimensions



## Camera



## Power Supply



## Wiring Diagram

