



## MRI Compatible LED Task Lighting



### Product Description

The Sentient Suite™ LED Task Lighting is specifically designed for task lighting with a 25 degree vertical tilt, cool 4000K color correlated temperature and an efficient 97 lumens per watt. The all aluminum and engineering grade thermoplastic construction is suitable for use anywhere within a Health Care Facility including MRI Scan Rooms.

### Specifications

#### Luminaire Housing

- Aluminum/Thermoplastic Construction

#### LEDs

- Luminous Flux: 3000
- Efficacy: 97 lm/w
- Color Related Temp: 4000
- Color Rendering Index: 90

#### Life Expectancy

- 50,000 Hours

#### Fixture Electrical Input

- Low Voltage Direct Current

#### Fixture Dimensions

- 12”L x 9.25” W x 7.5” H  
305mm x 235mm x 191mm

#### Approval Listings

- UL Listed

#### Limited Warranty

- 1 Year Free Replacement

™ Sentient Suite is a Trademark of PDC Facilities, Inc.



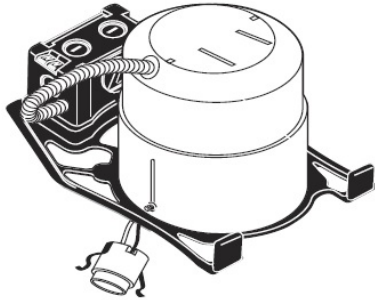
## Mounting

### Installation:

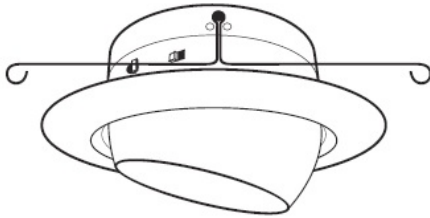
2 x 8 wood joist or T-bar

Vertical adjustment of housing allows for flush mounting

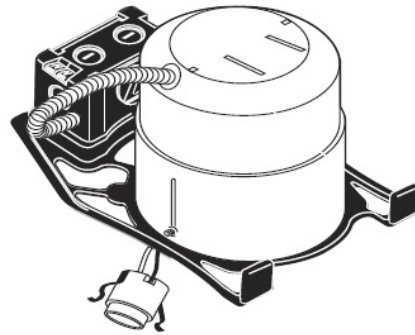
Ceiling cutout 6 - 7/8"



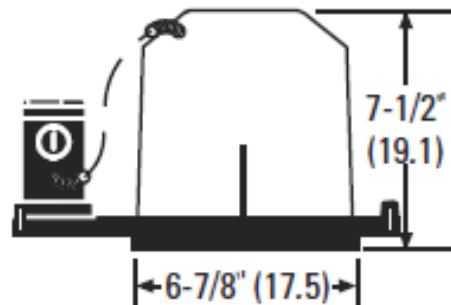
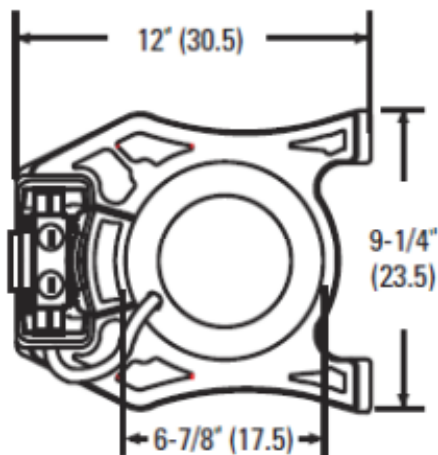
## Dimensions and Identification



Vertical Tilt Eyeball



Recessed Fixture



Recessed