



## MRI Compatible LED Wall Fixture



### Product Description

A panelized, non-ferrous, LED Fixture for use as an interior design feature anywhere within a Healthcare Facility including MRI Scan Rooms. The illuminated Wall Fixture is available in warm white or color changing RGB LED lights when used with the Sentient proprietary software App.

### Specifications

#### LEDs

- (16) 1m LED Light Strips
- Warm White or RGB
- 12VDC, 160 watts
- Prewired

#### Lens

- Uniform LED Light Diffusing Polymer
- Applied Artwork Image Graphics
- Textured Surface

#### Housing

- Aluminum
- Welded Construction

#### Trim

- Plastic Laminated Poplar

#### Electrical Box

- Accessible, 1/2" & 3/4" knockouts

#### Installation

- Direct Wall Attachment Tabs
- Floor Bearing

#### Warranty

- One Year Limited
- Complete Fixture

#### Approval Listings

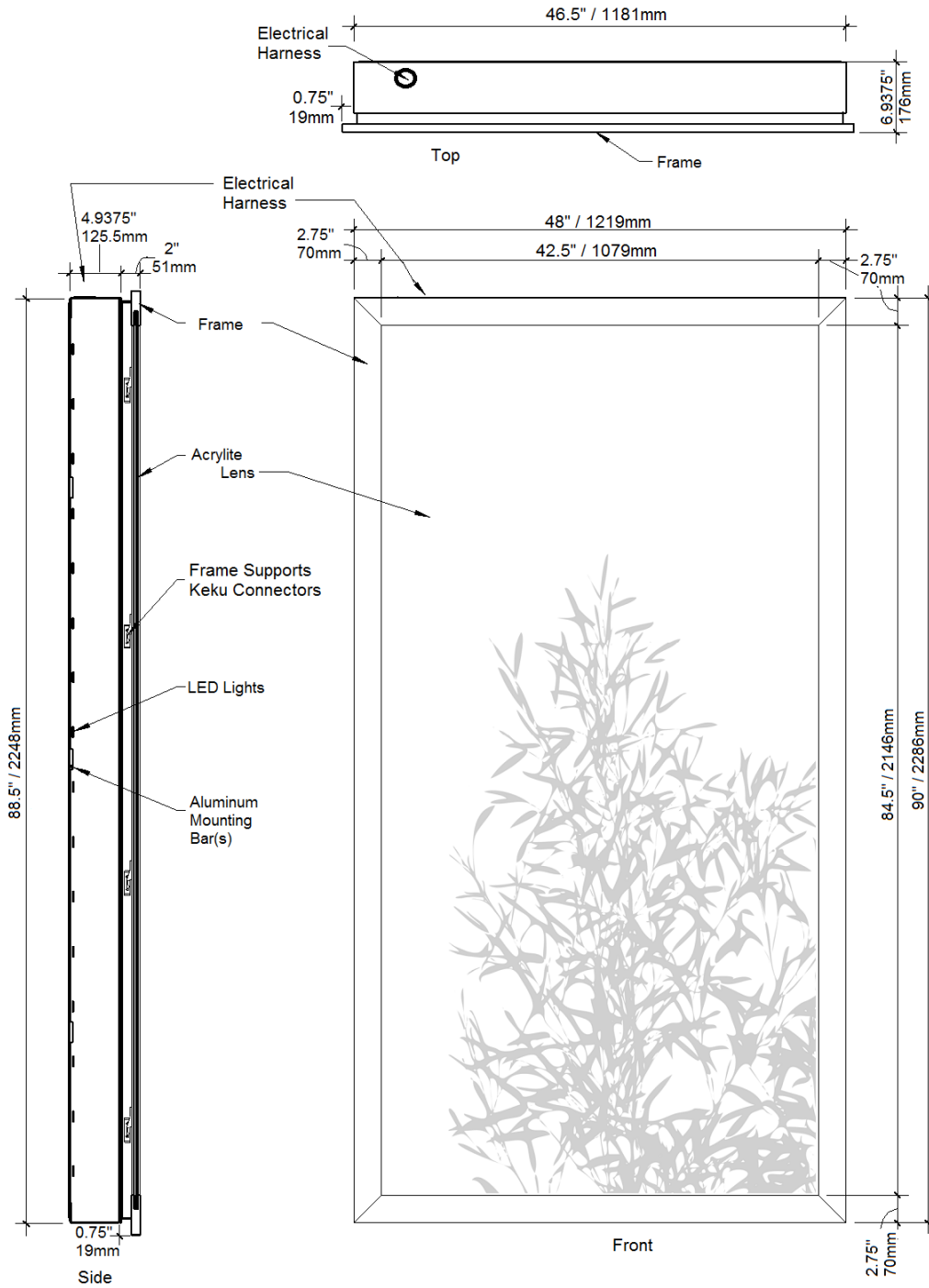
- ETL/cUL/CE



## Physical Properties

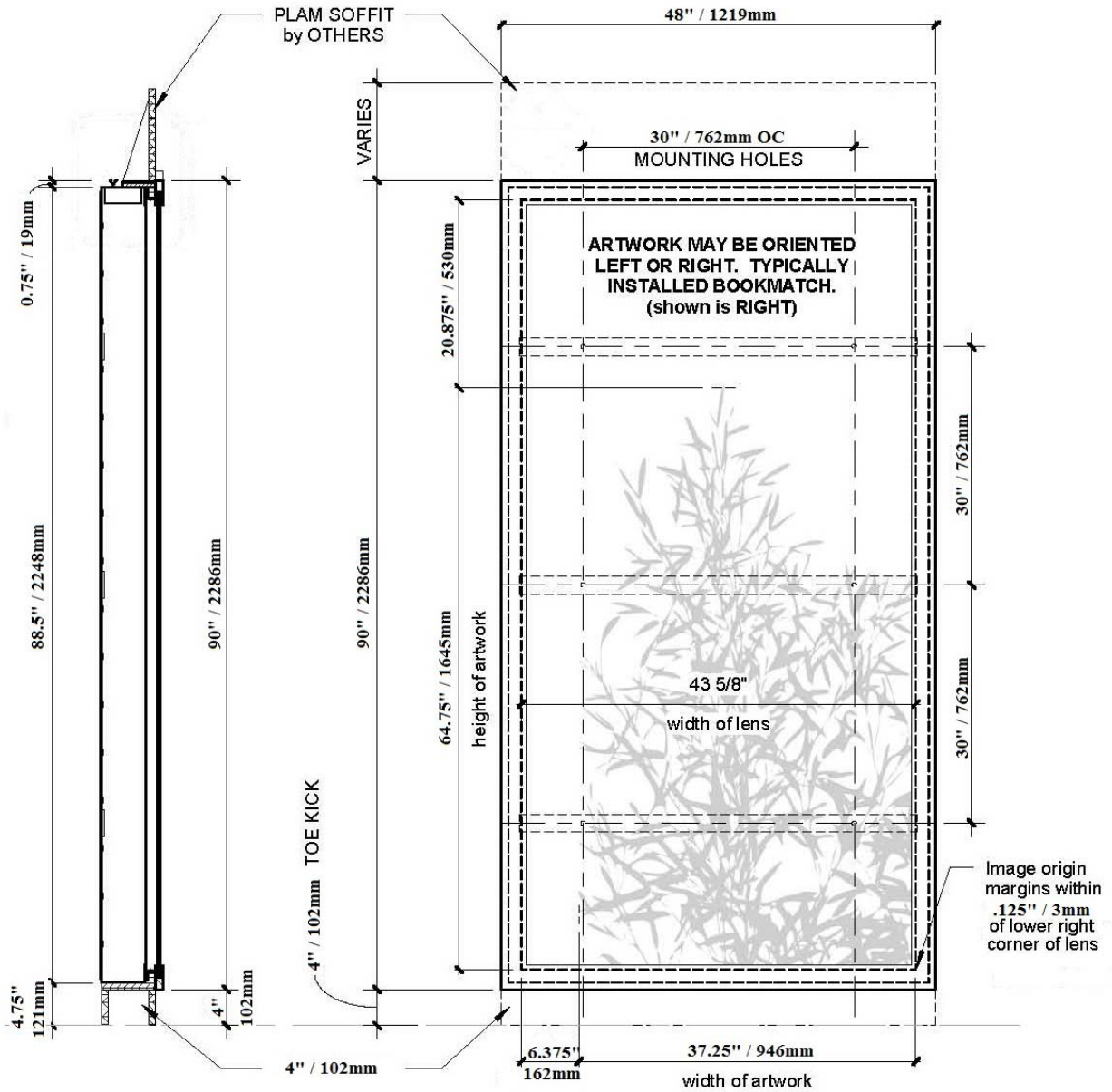
Dimensions (Assembled): 90”h x 48”w x 6.9”d (2286 x 1219 x 176mm)

Weight: 160 lbs. (72.5kg)



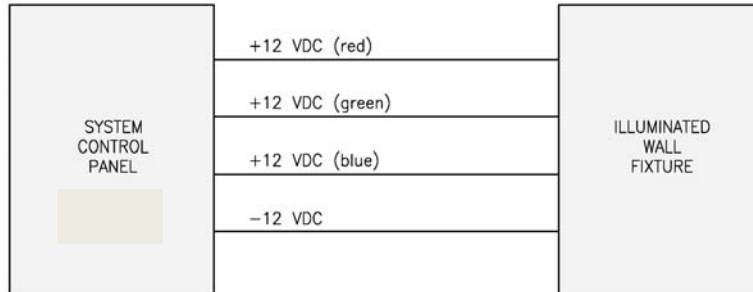


## Installation Elevation & Section



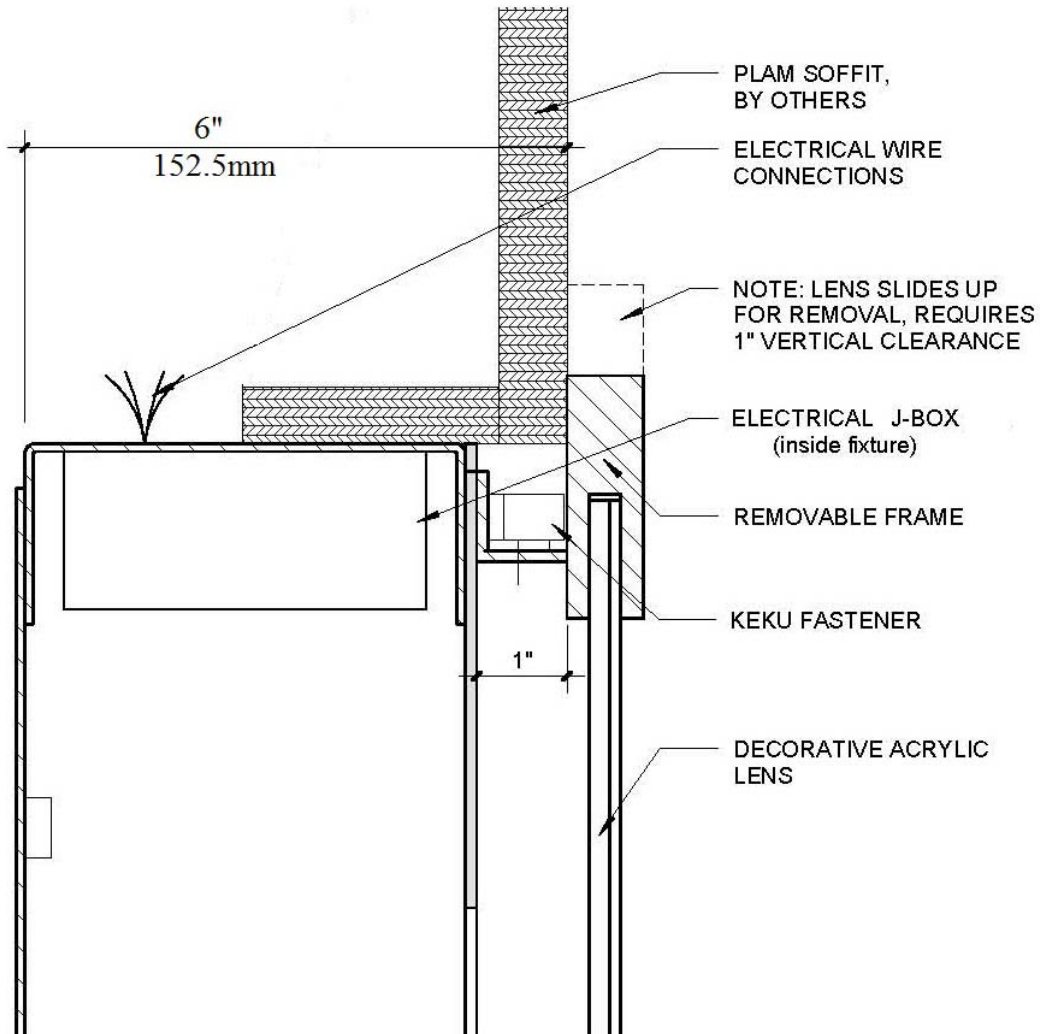


## Circuit Diagram



## Installation

### Detail Section at Top of Panel



™ Sentient Suite is a Trademark of PDC Facilities, Inc.